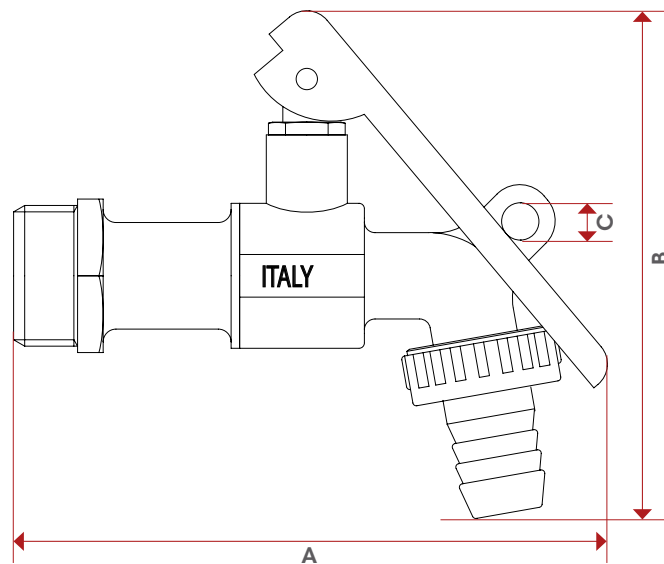


144



	1/2"	3/4"
DN	15	20
A	111	111
B	105	105
C	7	7
Kg/cm ² bar	15	15
LBS - psi	220	220