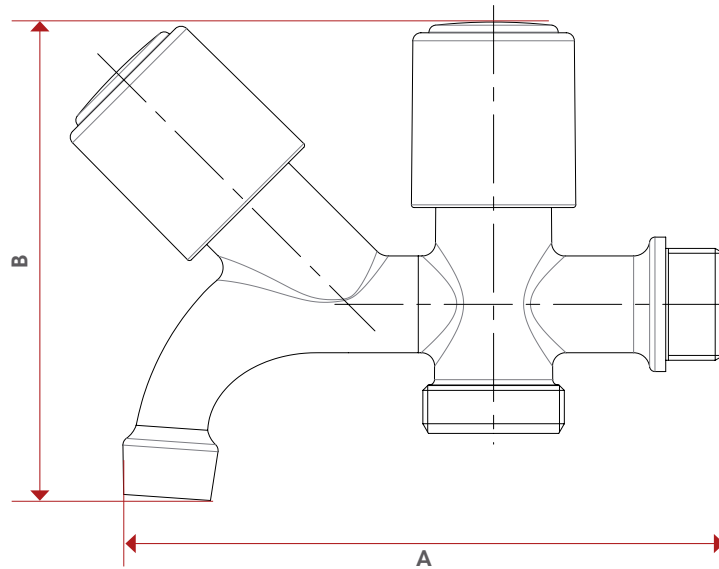


220



TEC



	1/2"
DN	15
A	121.7
B	88
Kg/cm ² bar	8
LBS - psi	116