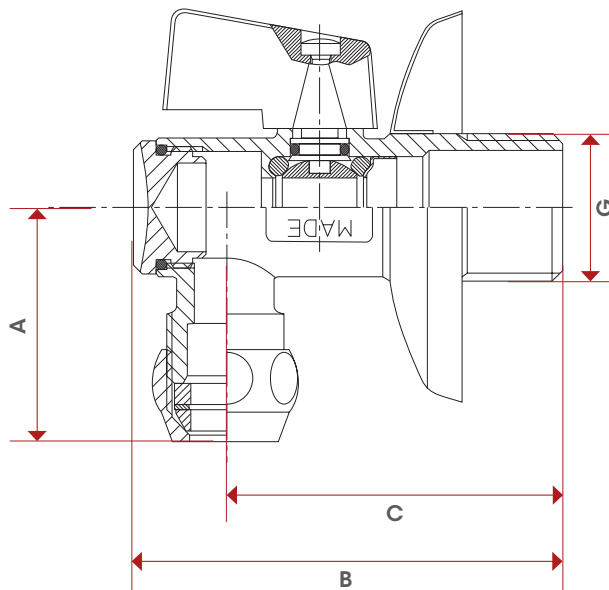


906



TEC



	1/2"
DN	15
A	32,7
B	60
C	47
G	1/2"
Kg/cm ² bar	10
LBS - psi	145