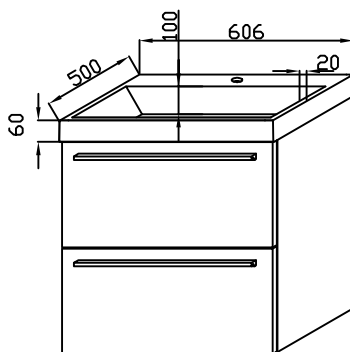
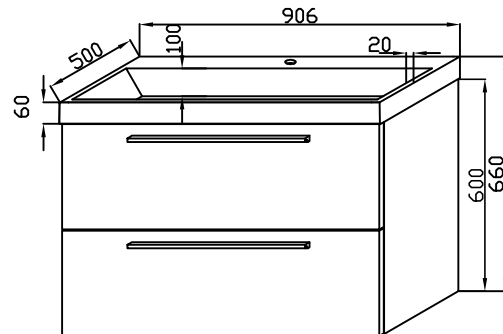


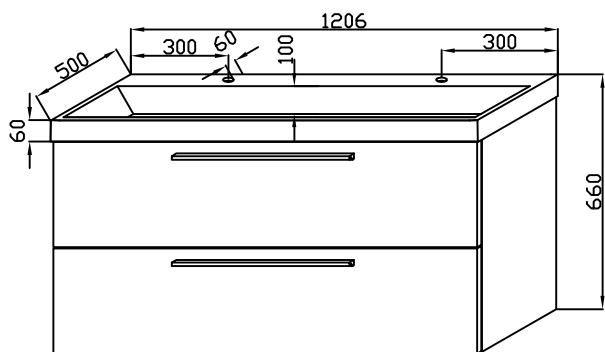
*OJ 60 ANT/ANT  
OJ 60 CHA/CHA  
OJ 60 DW/DW  
OJ 60 WH/ANT  
OJ 60 WH/CHA  
OJ 60 WH/DW  
OJ 60 WH/WH*



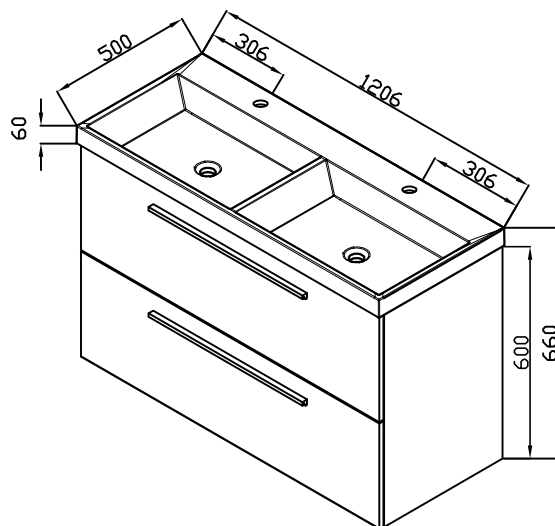
*OIJ 60 ANT/ANT  
OIJ 60 CHA/CHA  
OIJ 60 DW/DW  
OIJ 60 WH/ANT  
OIJ 60 WH/CHA  
OIJ 60 WH/DW  
OIJ 60 WH/WH*



*OIJ 90 ANT/ANT  
OIJ 90 CHA/CHA  
OIJ 90 DW/DW  
OIJ 90 WH/ANT  
OIJ 90 WH/CHA  
OIJ 90 WH/DW  
OIJ 90 WH/WH*



*OIJ 120 ANT/ANT  
OIJ 120 CHA/CHA  
OIJ 120 DW/DW  
OIJ 120 WH/ANT  
OIJ 120 WH/CHA  
OIJ 120 WH/DW  
OIJ 120 WH/WH*



*OIJ 120/2 ANT/ANT  
OIJ 120/2 CHA/CHA  
OIJ 120/2 DW/DW  
OIJ 120/2 WH/ANT  
OIJ 120/2 WH/CHA  
OIJ 120/2 WH/DW  
OIJ 120/2 WH/WH*