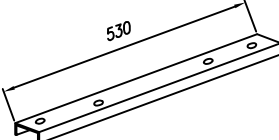
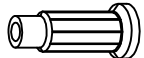





- 1  530 2X
- 2  4X
- 3  4X
- 4  12X
- 5  4X

